

FRICO



PA3200C

Stylish air curtain for commercial premises, with remote and integrated control

Recommended installation height 3,2 m*

PA3200C is a compact air curtain for commercial buildings and small industrial entrances. The air curtain has an integrated control system and can also be remote controlled which makes it very easy to install and use.

- Remote control and integrated regulation.
- 3 fan steps and 2 electrical heating steps.
- Wall brackets included.
- The front is easy to remove, which facilitates installation and allows easy maintenance.
- Corrosion proof housing made of hot zinc-plate and powder enamelled steel panels. Plastic ends. Colour front: white, RAL 9016, NCS S 0500-N. Colour grille, rear section, ends and brackets: grey, RAL 7046.



Optimized airflow with Thermozone technology.

✿ Ambient, no heat - PA3200C A (IP21)

| Type | Output [kW] | Airflow* ¹ [m ³ /h] | Sound power* ² [dB(A)] | Sound pressure* ³ [dB(A)] | Voltage motor [V] | Amperage motor [A] | Length [mm] | Weight [kg] |
|----------|----------------|--|--------------------------------------|---|----------------------|-----------------------|----------------|----------------|
| PA3210CA | 0 | 1100/1750 | 73 | 46/57 | 230V~ | 0,7 | 1068 | 22 |
| PA3215CA | 0 | 1700/2750 | 74 | 46/59 | 230V~ | 1,0 | 1578 | 32 |
| PA3220CA | 0 | 2300/3500 | 75 | 50/60 | 230V~ | 1,3 | 2068 | 42 |

⚡ Electrical heat - PA3200C E (IP20)

| Type | Output steps [kW] | Airflow* ¹ [m ³ /h] | Δt* ⁴ [°C] | Sound power* ² [dB(A)] | Sound pressure* ³ [dB(A)] | Voltage motor [V] | Amperage motor [A] | Voltage [V] Amperage [A] (heat) | Length [mm] | Weight [kg] |
|------------|----------------------|--|--------------------------|--------------------------------------|---|----------------------|-----------------------|---------------------------------------|----------------|----------------|
| PA3210CE08 | 5/8 | 1100/1750 | 22/13 | 72 | 46/57 | 230V~ | 0,65 | 400V3~/11,5 | 1068 | 26 |
| PA3215CE12 | 8/12 | 1700/2750 | 21/13 | 75 | 46/59 | 230V~ | 1,0 | 400V3~/17,3 | 1578 | 37 |
| PA3220CE16 | 10/16 | 2300/3500 | 22/13 | 76 | 50/60 | 230V~ | 1,3 | 400V3~/23,1 | 2068 | 51 |

💧 Water heat - PA3200C W (IP21)

| Type | Output* ⁵ [kW] | Airflow* ¹ [m ³ /h] | Δt* ^{4,5} [°C] | Water volume [l] | Sound power* ² [dB(A)] | Sound pressure* ³ [dB(A)] | Voltage motor [V] | Amperage motor [A] | Length [mm] | Weight [kg] |
|----------|------------------------------|--|----------------------------|---------------------|--------------------------------------|---|----------------------|-----------------------|----------------|----------------|
| PA3210CW | 8 | 1050/1700 | 16/14 | 1,3 | 70 | 45/55 | 230V~ | 0,65 | 1068 | 26 |
| PA3215CW | 14 | 1850/2700 | 17/15 | 2,1 | 73 | 46/57 | 230V~ | 0,7 | 1578 | 36 |
| PA3220CW | 18 | 2200/3300 | 18/16 | 2,7 | 74 | 49/58 | 230V~ | 1,3 | 2068 | 48 |

*¹) Lowest/highest airflow of totally 3 fan steps.

*²) Sound power (L_{WA}) measurements according to ISO 27327-2: 2014, Installation type E.

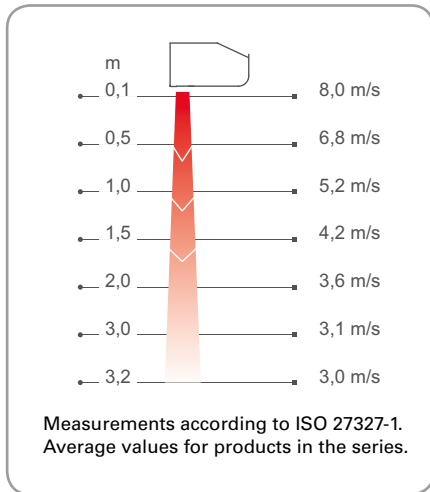
*³) Sound pressure (L_{pA}). Conditions: Distance to the unit 5 metres. Directional factor: 2. Equivalent absorption area: 200 m². At lowest/highest airflow.

*⁴) Δt = temperature rise of passing air at maximum heat output and lowest/highest airflow.

*⁵) Applicable at water temperature 60/40 °C, air temperature, in +18 °C.

*) Recommended installation height varies depending on the relevant premises.

Air velocity profile



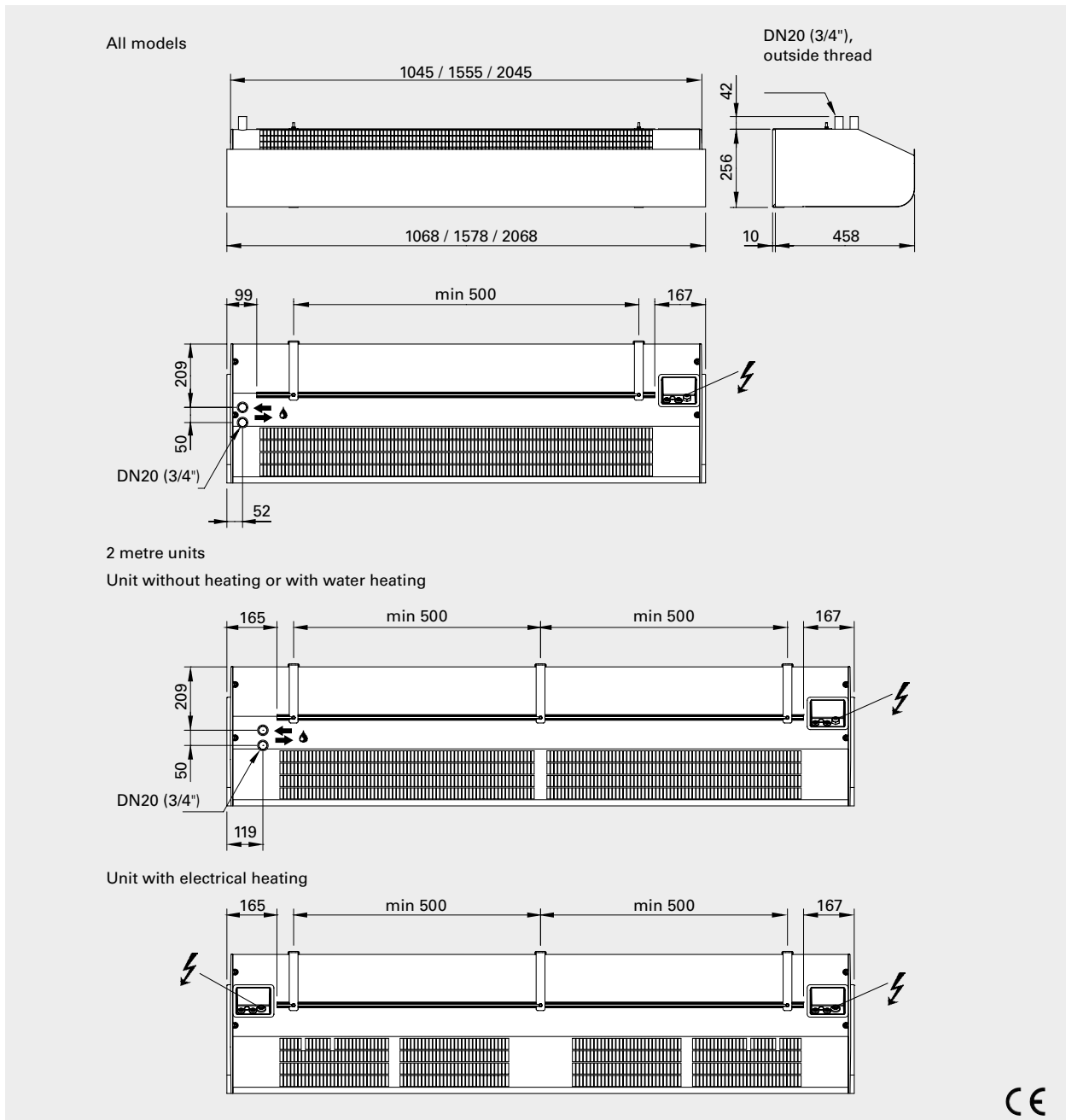
Control

The control system is integrated in the air curtain. The air curtain has a control panel discretely integrated in the gable end and can be controlled by a separate remote control. The air speed is set manually. The heat is controlled automatically.

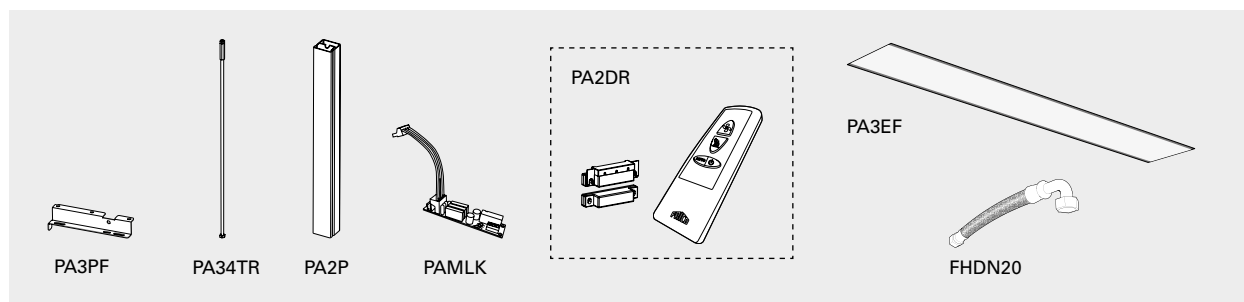


Door switch control PA2DR is available as an accessory for a door switch function. Possibility of using external on/off.

Dimensions



Controls and accessories



PA3PF, ceiling mounting brackets
Mountings for installing the unit in the ceiling using hanging brackets or threaded bars (not included).

PA34TR, threaded bars
Threaded bars for installing unit on to a ceiling. Length 1 m. Used together with ceiling mounting brackets PA2PF/PA3PF.

PA2P, hanging brackets
Hanging brackets for installing the unit suspended from the ceiling. Length 1 m. The hanging brackets are covered by a white plastic trim to cover the cables. The brackets may be cut to shorter length, if required. Used together with ceiling mounting brackets PA2PF/PA3PF.

PAMLK, motor alarm board
Accessory allows connection for a motor alarm signal in units where this facility is not already available. PAMLK plugs between motor wiring harness and main PC board. For units with SIRE control (PA2500, AR3200) connection enables use of the provided motor protection terminals. For units without SIRE (PA2200/3200C, AR3200C), use potential free contact on PAMLK board.

PA2DR, door switch control
Contains a door switch for door indication and a special remote control intended to activate auto mode in the unit.

Unit with water heating

PA3EF, external intake filter
Fine mesh filter that prevents ingress of dirt and deposits to water heated units. The filter is easy to attach and remove thanks to the integrated magnetic strips. Makes maintenance easier since the unit does not need to be opened.

FHDN20, flexible hoses
Flexible hoses for easy and practical installation of water heated unit. FHDN20: length 350 mm. FHDN2010: length 1 m. DN20.

Valve kit VOT or VLSP is used to control the water flow. For more information see the "Controls" section.

| Type | Description | Quantity included | Length |
|-----------------|---|-------------------|--------|
| PA3PF15 | Ceiling mounting brackets for 1 and 1,5 metre units | 4 | |
| PA3PF20 | Ceiling mounting brackets for 2 metre units | 6 | |
| PA34TR15 | Threaded bars for 1 and 1,5 metre units | 4 | 1 m |
| PA34TR20 | Threaded bars for 2 metre units | 6 | 1 m |
| PA2P15 | Hanging brackets for 1 and 1,5 metre units | 2 | 1 m |
| PA2P20 | Hanging brackets for 2 metre units | 3 | 1 m |
| PAMLK | Motor alarm board | 1 | |
| PA2DR | Door switch control | | |
| PA3EF10 | External intake filter for 1 metre water heated units | 1 | |
| PA3EF15 | External intake filter for 1,5 metre water heated units | 1 | |
| PA3EF20 | External intake filter for 2 metre water heated units | 1 | |
| FHDN20 | Flexible hoses DN20, inside thread, 90° bend | 2 | 350 mm |
| FHDN2010 | Flexible hoses DN20, inside thread, 90° bend | 2 | 1 m |